

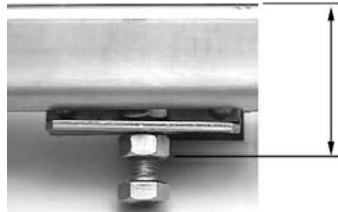


Izerwaren
order #

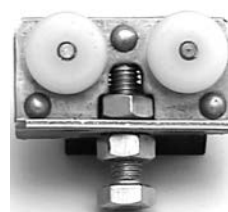
316 Stainless steel heavy duty track for sliding doors.

**Maximum door weight system #7:
165 lbs. using 2 carts;** carts placed at 36 inches distance.
For different weight doors:
see page 5-4 and 5-4-2,
Finish: rolled 316 stainless steel

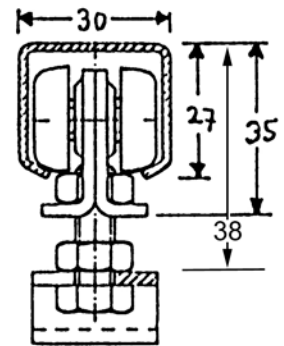
Overhead Sliding Door Track #7 Minimum distance between overhead and door: 1 1/2" or 38 mm



Track #7 #54.717



Roller #7 #54.751



rail system #7

54.717 **Rails #7**, 30 x 27 x 2 mm
316 stainless steel
specify length, increments of one meter

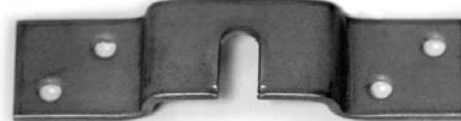
54.751 **Rollers #7(carts)**
4 nylon wheels on stainless steel bearings with M8 bolt. 316 stainless steel
maximum weight per cart: 82.5 lbs

54.759 **End stop #7**with rubber buffer
316 stainless steel



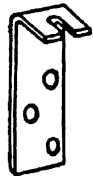
#7 Endstop #54.759

54.760 **Bracket top mounted #7**
100 x 20 x 2 mm
316 stainless steel



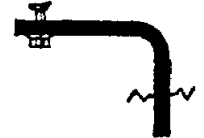
#7 Top mounted door bracket #54.760

54.758 **Bracket side mounted #7**
82 x 40 x 22 x 3 mm
316 stainless steel



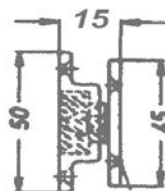
#7 Side mounted door bracket #54.758

54.756 **Doorholder, plastic #7**
To keep door inside pocket, works with Endstop# 54.759 only

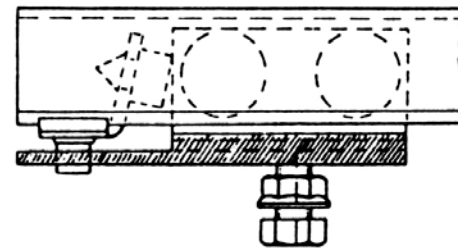


#7 Wallbracket #54.722

31.118 **Doorholder, 316 stainless steel #31.118**
Distance 15 mm / 5/8
Mounts against the back edge of door to hold door in pocket

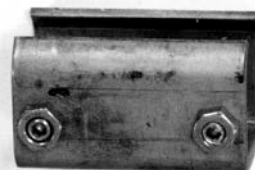


54.722 **Rail to wall bracket , 90 degree, #7**
for mounting rail against side wall
304 stainless steel

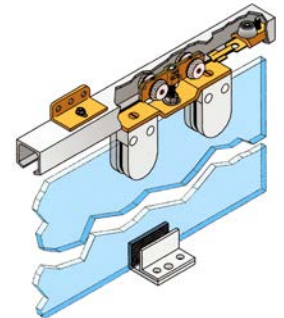


#7 Keeper, plastic #54.756
To keep door inside pocket, works with endstop only

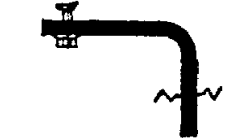
54.234 **Connecting bracket#7** for rail #7
With set screws



#7 Connecting bracket #54.234 for rail #54.717



rail system #7 with glass clamping brackets #85.S71



#7 Wallbracket #54.722



Connecting bracket #54.234 for rail #7
With set screws



#54.281 bottom guide wheel for sliding door. Plate stainless steel 23 x 100 mm; 4 mm thick.
Diameter nylon wheel: 19 mm or 3/4 inch.



Depicted with aluminum U shaped profile 1 x 1 inch. Wall thickness: 1/8 inch



Izerwaren
Order #

316 Stainless steel heavy duty track for sliding doors.

**Maximum door weight system #5:
33 lbs. using 2 carts;** carts placed at 36 inches
distance.
For heavier doors: see page 5-4-1 and 5-4-2,
Finish: rolled 316 stainless steel

**Overhead Sliding Door Track
distance between overhead and
door bracket: 1 1/2" or 38 mm**

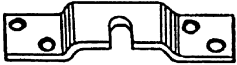
54.211 **Rails #5, 21 x 21 x 1 mm**
316 stainless steel
specify length, increments of one meter

54.251 **Rollers #5(carts)**
4 nylon wheels on stainless steel bearings with
M 8 bolt 316 stainless steel
maximum weight per cart: 16.5 lbs

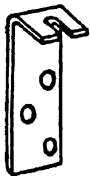
54.259 **End stop #5 with rubber buffer**
316 stainless steel



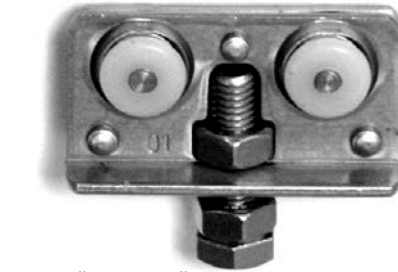
54.256 **Bracket top mounted #5**
100 x 20 x 2 mm
316 stainless steel



54.258 **Bracket side mounted #5**
82 x 40 x 22 x 3 mm
316 stainless steel



54.221 **Rail bracket, 90 degree, #5**
for mounting rail against side wall
304 stainless steel



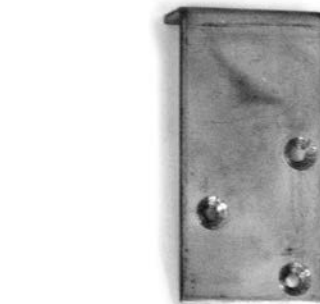
System #5 roller #54.251; nylon wheels,
stainless steel bearings



endstop #54.259,

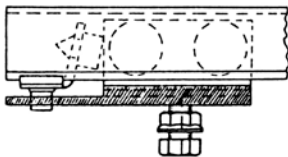


Top mounted door bracket #54.256;

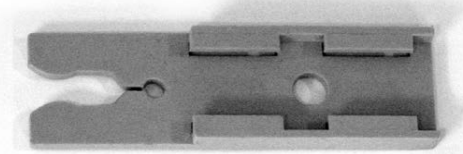
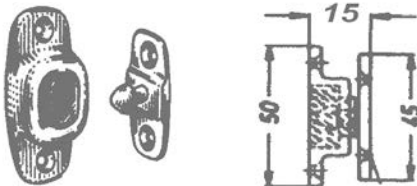


Side mounted door bracket #54.258

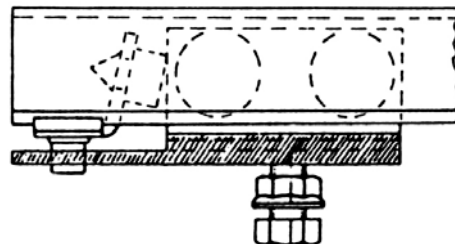
54.260 **Doorholder, plastic #5**
To keep door inside pocket, works with
Endstop# 54.259 only



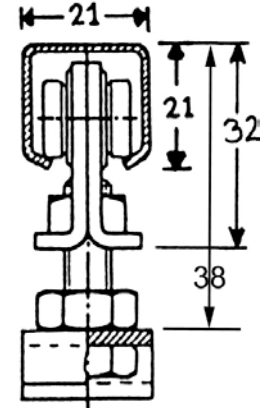
31.118 **Doorholder, 316 stainless steel #31.118**
Distance 15 mm / 5/8
Mounts against the back edge of door to hold door in
pocket



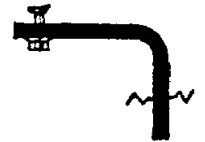
#54.281 bottom guide wheel
for sliding door. Plate
stainless steel 23 x 100 mm;
4 mm thick.
Diameter nylon wheel:
19 mm or 3/4 inch.



Keeper, plastic #54.260
To keep door inside pocket, works with endstop
#54.259 only



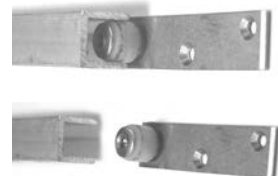
rail system #5



wallbracket #5
#54.221



#54.281 bottom guide wheel
for sliding door. Plate
stainless steel 23 x 100 mm;
4 mm thick.
Diameter nylon wheel:
19 mm or 3/4 inch.



Depicted with aluminum U
shaped profile 1 x 1 inch.
Wall thickness: 1/8 inch



Izerwaren order #

316 Stainless steel heavy duty track for sliding doors.

Maximum door weight system #8: 440 lbs. using 2 carts; carts placed at 36 inches distance.
For different weight doors: see page 5-4 and 5-4-1,
Finish: rolled 316 stainless steel

Overhead Sliding Door Track #8
Minimum distance between overhead and door: 3 1/4" or 82 mm

54.815 **Rails #8,** 40 x 37 x 3 mm
316 stainless steel
specify length, increments of one meter

54.851 **Rollers #8(carts)**
4 stainless steel wheels on stainless steel bearings with M12 bolt
316 stainless steel
maximum weight per cart: 220 lbs

54.859 **End stop #8**with rubber buffer
316 stainless steel

54.860 **Bracket top mounted #8**
160 x 35 x 4 mm
316 stainless steel

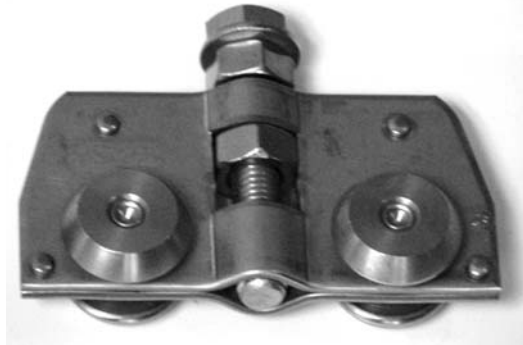
54.858 **Bracket side mounted #8**
82 x 40 x 22 x 3 mm
316 stainless steel

54.821 **Rail to wall bracket #8, 90 degree,**
for mounting rail against side wall
316 stainless steel

54.825 **Wall bracket #8** two parts;
Clamp sideways adjustable.

54.835 **Ceiling or overhead bracket #8**

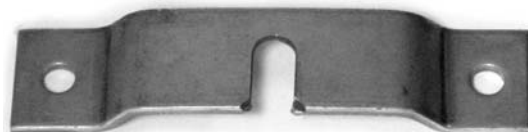
54.281 **Bottom guide wheel 19 mm / 3/4"**



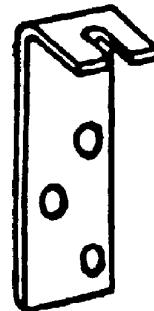
Roller #8 #54.851;
316 stainless steel with stainless steel bearings



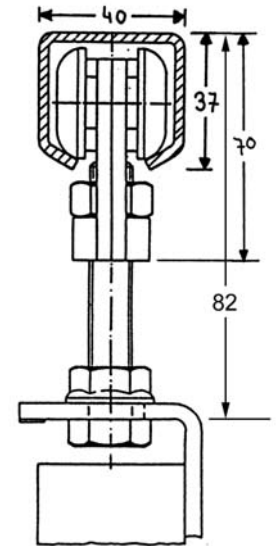
#8 Endstop #54.859



#54.860 No.8 Top mounted door bracket
160 x35 x 4 mm or 6.25 x 0.825 x 0.25 inch



#8 Side mounted door bracket #54.858
140 x 50 x 50 x 5 mm; 5 1/2 x 1 5/8 x 1 5/8 x 7/32 inch



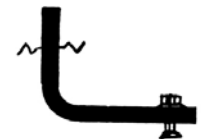
System #8 sliding track



No. 8 overhead bracket #54.835



No. 8 wall bracket 54.825
sideways adjustable
two parts



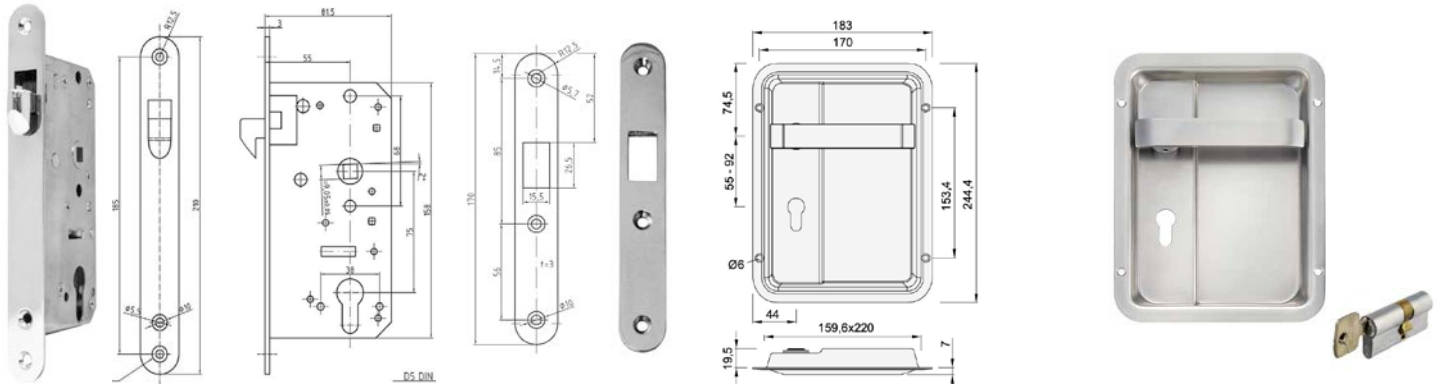
#54.821
No. 8 rail to wall bracket



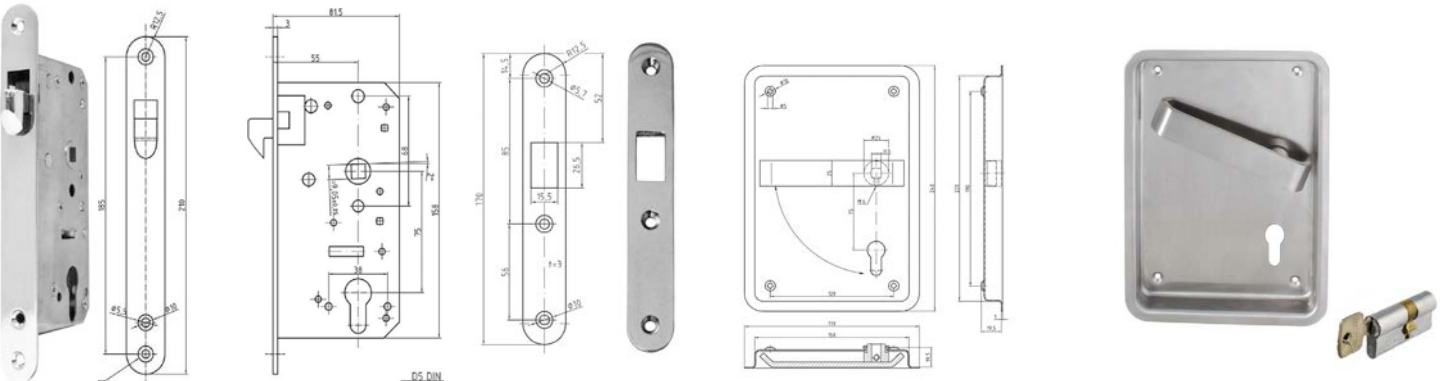
#54.281 bottom guide
for sliding doors. Stainless steel.
Plate: 4 x 23 x 100 mm;
Diameter nylon wheel:
19 mm or 3/4 inch.
Works with aluminum U channel



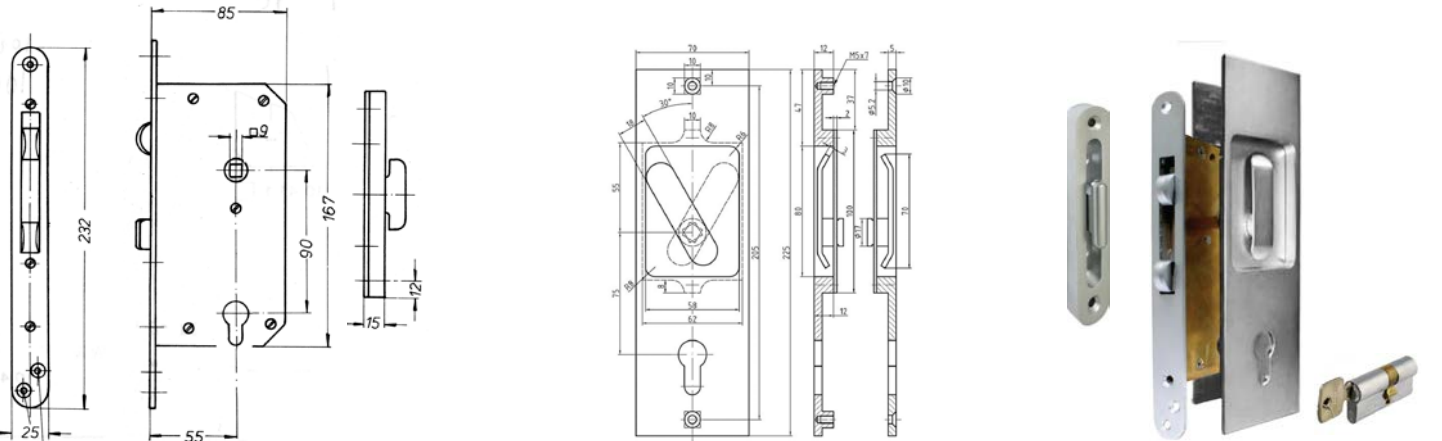
Depicted with aluminum U shaped
profile 1 x 1 inch.
Wall thickness: 1/8 inch.



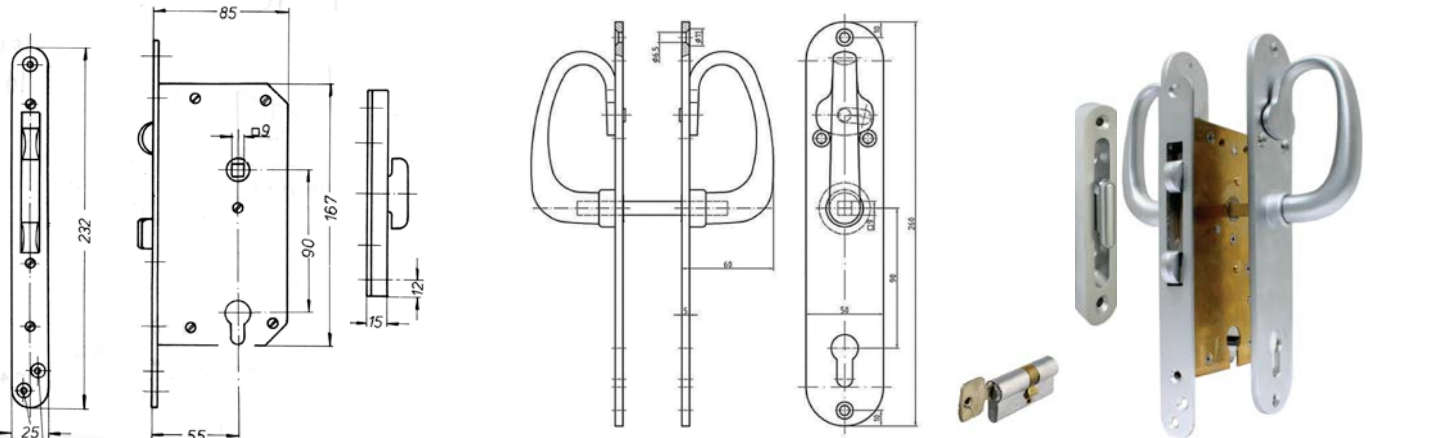
Entry Lock Set# 13.81Z8; 55 mm backset; Door thickness: 2 3/8 inch
using #53.5072 flush plates with lever size: 244.4 x 183 mm; build in space depth: 20 mm; proud: 7 mm see also page 5-3-1



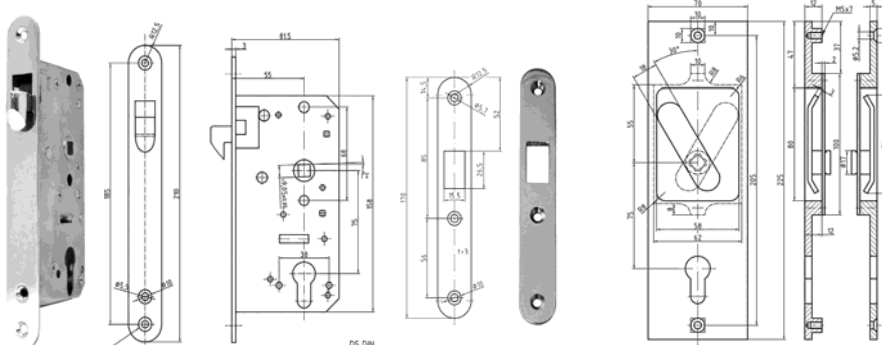
Entry Lock Set# 13.81Z9; 55 mm backset; Door thickness: 2 3/8 inch
With #53.653 Flush plate with lever. Plate 240 x 170 mm; Build in depth: 20mm; Satin stainless steel



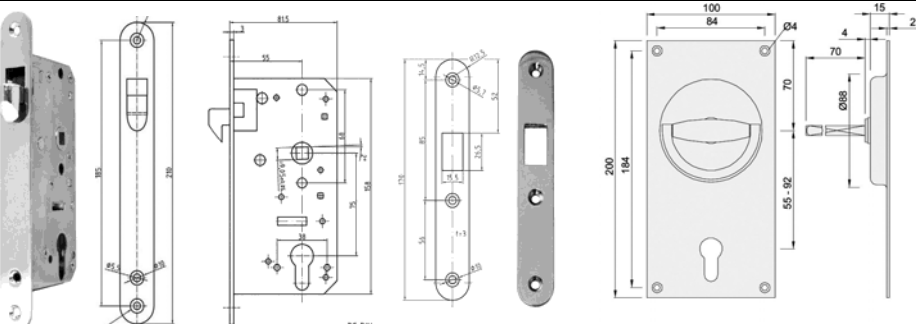
Entry Lock Set: 13.008Z Heavy duty Flush sliding door lock set. Door thickness: 1 3/4 inch. Chrome plated brass.



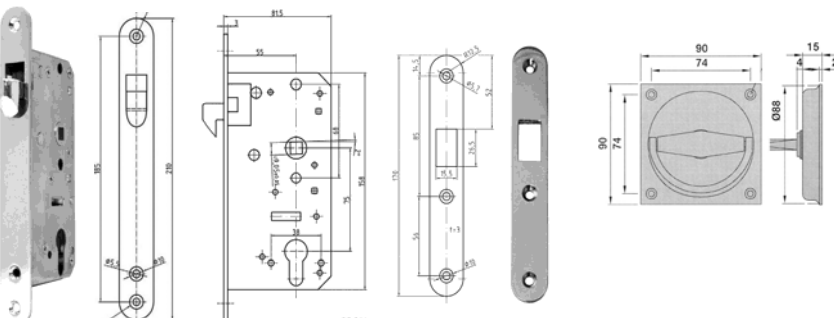
Entry Lock Set: 13.9698Z Heavy duty sliding door lock set for 1 1/2" thick doors. Chrome plated brass. Door thickness: 1 1/2 inch



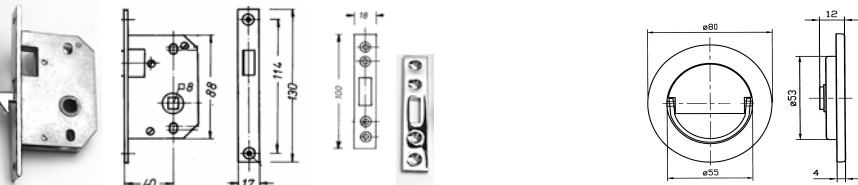
#13.81Z6 SET Complete Sliding Entry Mortise Lock Set. 55 mm backset;
Parts separate: Sliding door lock with strike plate #13.81Z; Profile cylinder keyway 05included; Flush Trim Set #13.610Z; dimensions: 2 3/4 x 8 7/8 inch 8; Plates Protrude from surface door 1/4 inch; **MINIMUM DOOR THICKNESS: 1 3/4 INCH or 44 mm.**



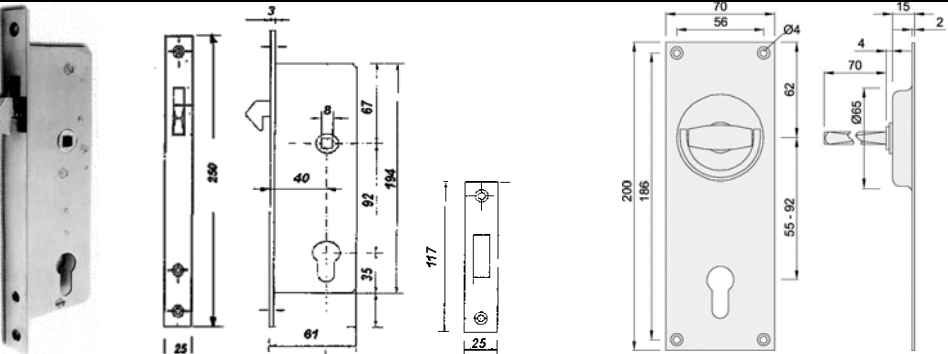
#13.81Z8 SET Complete Sliding Entry Mortise Lock Set. 55 mm backset
Parts separate: Sliding door lock with strike plate #13.81Z;; Stainless steel Flush lever on plate #51.004 ; Flush Set protrudes from surface door: 1/8 inch;
Size plate: 3 15/16 x 7 7/8 inch; **MINIMUM DOOR THICKNESS: 2 1/8 INCH OR 53 MM**



#13.81F8 SET Complete Sliding Passage Mortise Lock Set. 55 mm backset.
Parts separate: Sliding door latch with strike plate #13.81F; Stainless steel Flush lever on plate #51.016 ; Flush Set protrudes rom surface door: 1/8 inch;
Size plate: 3 9/16 x 3 9/16 inch; **MINIMUM DOOR THICKNESS: 2 1/8 INCH OR 53 MM**



Set: #51.0891F; Flush Sliding Passage Set. 40 mm backset. With 316 Stainless steel Flush Door Lever #51.391; 80 mm diameter.
DOOR THICKNESS: 1 1/2" OR 38 MM

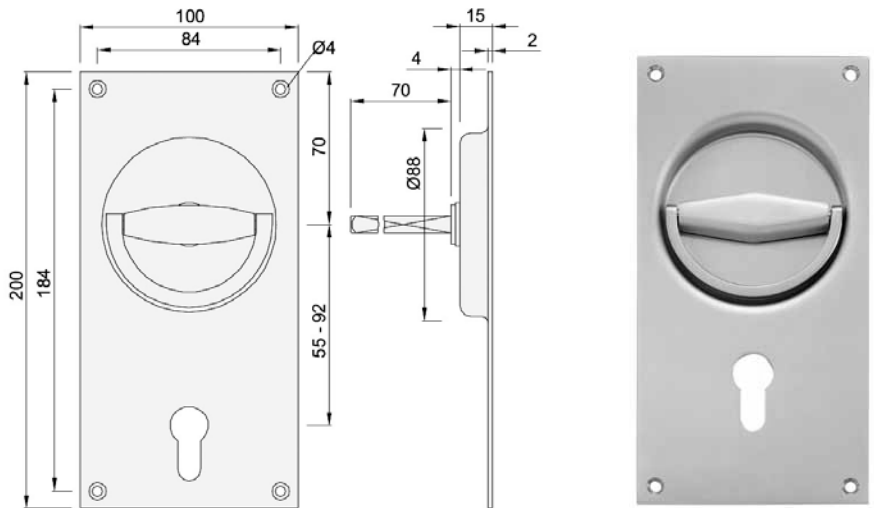


Set: #51.01525Z; Flush Sliding Entry Set with Flush Aluminum. 40 mm backset. Door Lever #51.5001A on plate 70 x 200 mm, Stainless steel Lock with strike #14.152; **DOOR THICKNESS: 2 1/8" OR 52 MM**



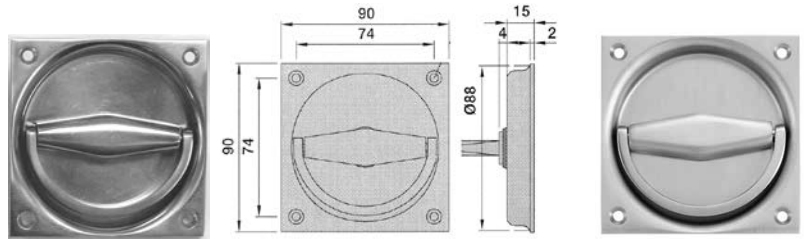
Order number

51.004 **Flush Door Lever Handle, for use with entry set with Profile Cylinder**
 304 Stainless Steel
 100 mm x 200 mm, depth: 13 mm
 Depth: 17 mm
 up-lay: 2 mm
 Finish: satin or polished stainless steel
 For use with 8 x 8 mm spindle



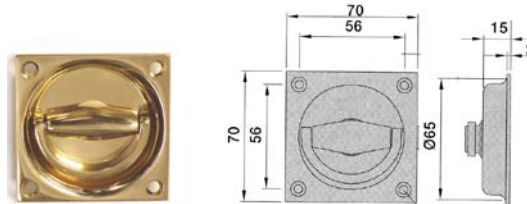
#51.004 flush door handle, 100 x 200 mm, stainless steel for use with Profile Cylinder

51.016 **Flush Door Lever Handle, for use with passage set**
 304 Stainless Steel
 90 mm x 90 mm, depth: 13 mm
 Depth: 17 mm
 up-lay: 2 mm
 Finish: satin or polished stainless steel
 For use with 8 x 8 mm spindle



#51.016 flush door handle, 90 x 90 mm stainless steel

51.013B **Flush Door Lever**
 Solid brass, with 8 x 8 mm spindle
 70 mm x 70 mm, depth: 17 mm
 up-lay: 2 mm



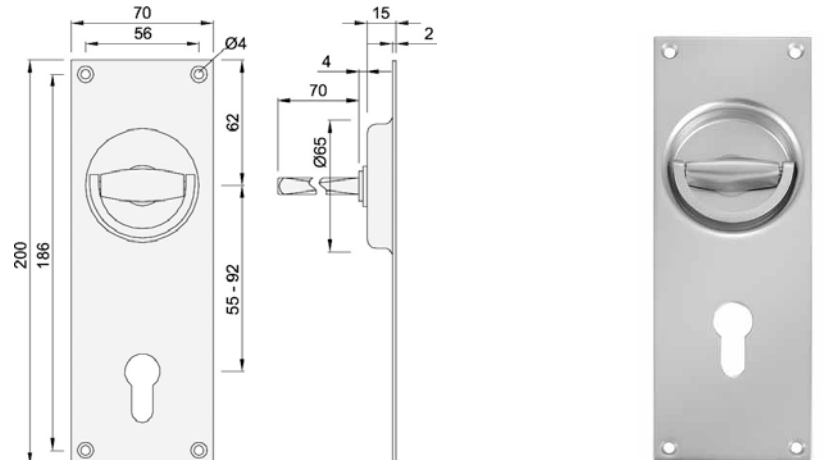
#51.013B flush door handle 70 x 70 mm, in brass and aluminum

51.013A **Flush Door Lever**
 Silver anodized aluminum
 with 8 x 8 mm spindle
 70 mm x 70 mm, depth: 17 mm
 up-lay: 2 mm



#51.016A in aluminum

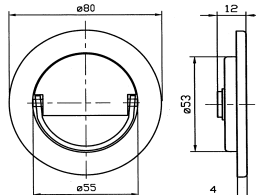
51.5001A **Flush Door Lever**
 Silver anodized aluminum
 On plate 70 mm x 200 mm,
 depth: 17 mm
 with 8 x 8 mm spindle
 up-lay: 2 mm



#51.5001A Flush pate with lever and hole for keyway; Silver Anodized Aluminum

51.5001B **Flush Door Lever**
 Lacquered Brass
 On plate 70 mm x 200 mm,
 depth: 17 mm
 with 8 x 8 mm spindle
 up-lay: 2 mm

51.391 **Flush Door Lever**
 316 Stainless steel Flush Door Lever;
 80 mm diameter ~ 3 1/8 inch
 Up-lay: 4 mm or 3/16 inch
 For 8x8 mm spindle.



#51.391; 316 Stainless steel Flush Door Lever; 80 mm diameter.



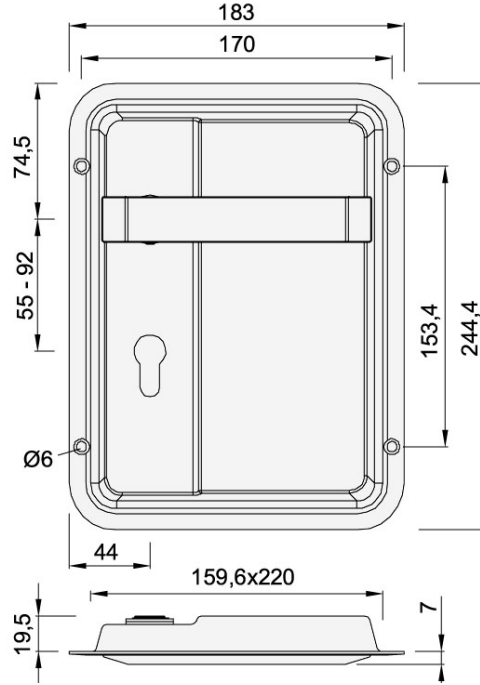
Izerwaren
Order
number

FOR 2 3/8" DOOR THICKNESS

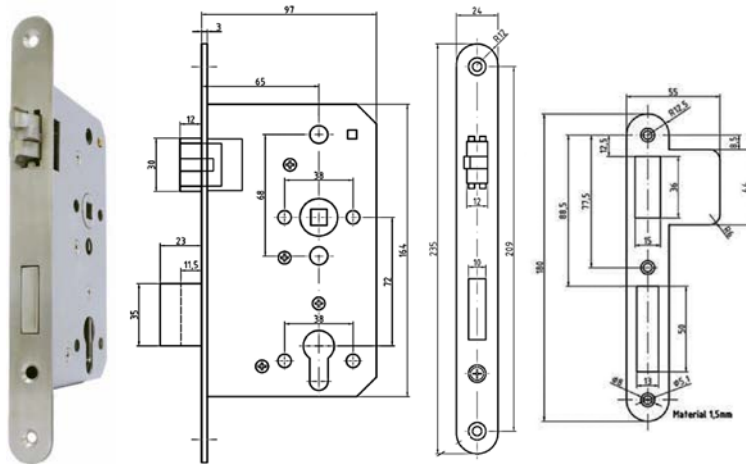
53.5072 Flush cupped plate with Lever, for use with entry set with Profile Cylinder
304 stainless steel
Pocket door function 244.4 x 183 mm
Build in space depth: 20 mm;
Proud: 7 mm
Finish: satin or polished stainless steel
For use with 8 x 8 mm or 9 x 9 mm square spindle



Lock backset: From 55 mm to 65 mm
Distance Lever to keyhole: 75 to 92 mm



#53.5072 flush plate with lever pocket door function 244.4 x 183 mm
Build in space depth flush plate: 20 mm; proud: 7 mm



Entry lock set #14.3127Z 65 mm backset

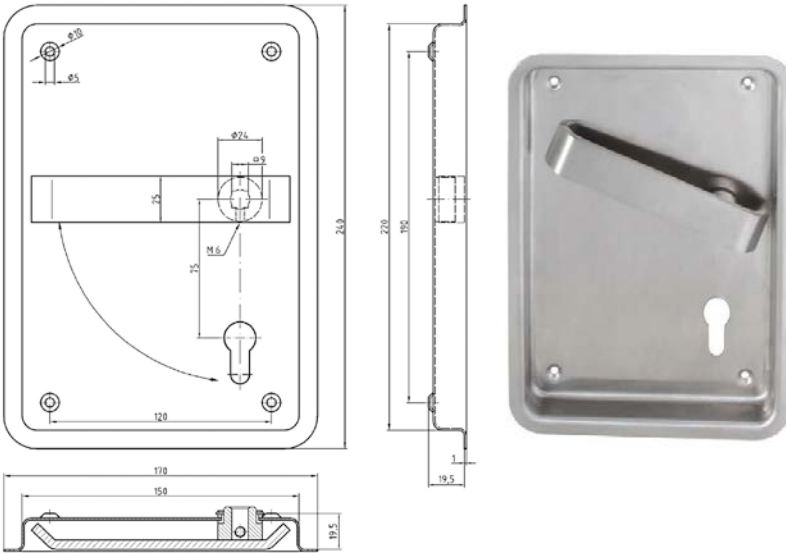


Izerwaren
Order
number

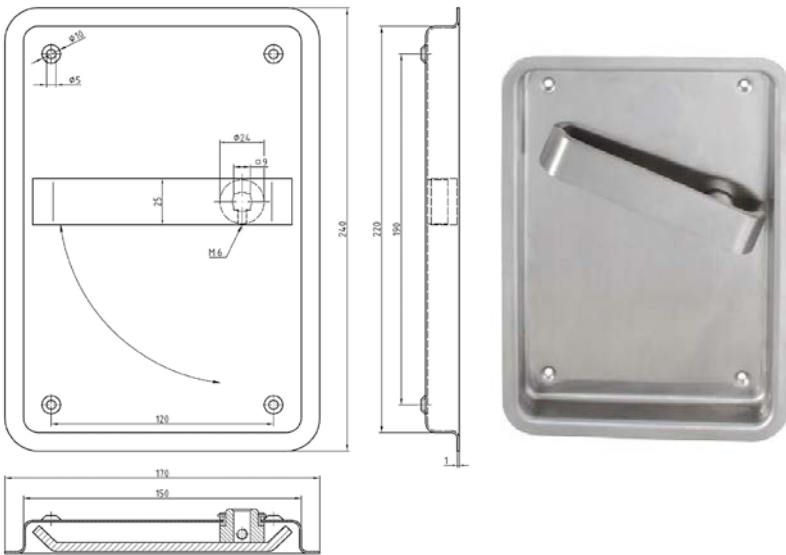
- High quality German 304 Stainless Steel Flush door lever handles for full size mortise locks with a min. backset of 55 mm
- Finish: Satin stainless steel or mirror polished stainless steel.

FOR 2 3/4 INCH DOOR THICKNESS

- 53.653 **Flush Plate with Lever, for use with entry set with Profile Cylinder**
 304 stainless steel
 Plate 240 x 170 mm;
 Build in: 220 x 150 mm
 Build in depth: 20mm
 Finish: satin or polished stainless steel
 With 8 x 8 mm or 9 x 9 mm square spindle

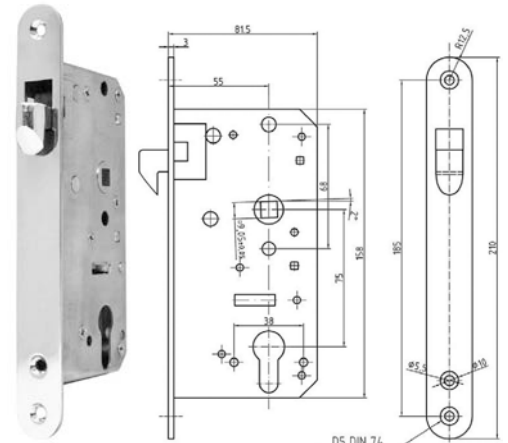


#53.653 Flush plate with lever. Plate 240 x 170 mm;
Build in depth: 20mm
Satin or polished stainless steel

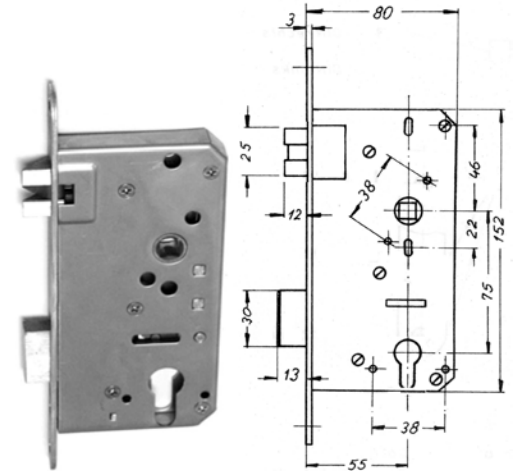


#53.659 Flush plate with lever. Passage function
Plate 240 x 170 mm;
Build in depth: 20 mm
Satin or polished stainless steel

NOTE: Lever not separately available
Only available as set with flush plates.
Similar lever for separate use: #12.53F on page I-1-2



- 13.81Z Use with Entry Sliding Pocket Door Lock
 C. spindle hole to C. key hole: 75 mm
 Case: 80 mm x 152 mm x 16 mm thick
 Front plate lock: 210 x 25 mm
 For 9x9 mm spindle /door lever handles
 For profile cylinder key/key or knob/key
- 13.81S Strike plate (stainless, square corners)
 Strike plate (brass, round corners)



14.372Z Entry Swinging Mortise lock; 55 mm backset
Stainless steel.

14.213 Entry strike plate

- 53.659 **Flush plate** with lever
 Passage function
 304 stainless steel
 Plate 240 x 170 mm;
 Build in: 220 x 150 mm
 Build in depth: 20 mm
 Finish: satin or polished stainless steel
 For 8 x 8 mm or 9 x 9 mm square spindle

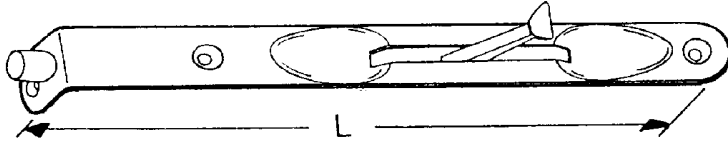


Izerwaren
Order
number

- High quality flush bolts
- Finish: Satin or polished stainless steel
- Brass flush bolts:
 - Finish: polished brass (un-lacquered)
 - polished chrome plated brass
 - satin chrome plated brass
 - custom finish



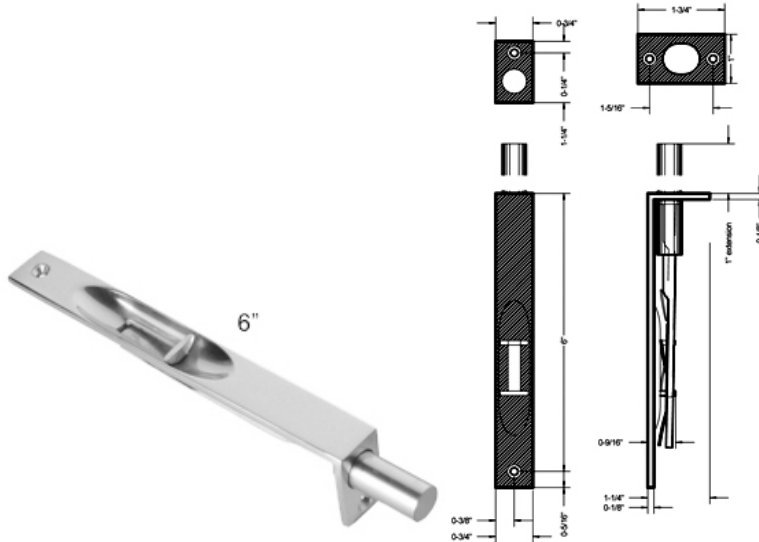
#55.509 304 stainless steel flush bolts size: 20 x 250 mm; depth: 50 mm
Positive locking in open and closed position



#55.509 Flush bolt size: 20 x 250 mm (3/4" x 9 7/8")

55.509 **Flush Bolt, heavy duty stainless steel**
304 stainless steel
Dimensions: 20 mm x 250 mm,
depth: 50 mm; throw: 150 mm
Finish: Satin or polished stainless steel

55.524 **Flush Bolt, heavy duty stainless steel**
304 stainless steel
Dimensions: **20 mm x 400 mm**
depth: 50 mm; throw: 15 mm
Finish: Satin or polished stainless steel



#55.264 Flush Bolt, medium duty; brass, with some steel parts
Operates by push lever; not positive locking
Dimensions: 18 mm x 152 mm; depth: 33 mm; throw: 25 mm
Flush bolt 3/4"x 6"; depth: 1 5/16"; throw: 1" Bolt diameter.
Finish: polished brass and polished or satin chrome; interior use

55.264 **Flush Bolt, medium duty**
brass, with some steel parts
Operates by push lever; not positive locking
Dimensions: 18 mm x 152 mm;
depth: 33 mm; throw: 25 mm
(3/4" x 6" x 1 5/16"; throw: 1")
Finish: polished or satin chrome
interior use



#55.668 series flush bolt 3/4"x 6"; depth: 1 5/16"; throw: 5/8;
Solid brass with stainless steel pins and springs.
Positive locking in open or closed position
Marine grade.

55.668 **Flush Bolt, medium duty**
brass, with stainless steel parts
Positive locking in open or closed position
Dimensions: 20 mm x 152 mm;
depth: 33 mm; throw: 15 mm
(3/4" x 6" x 1 5/16"; throw: 5/8")
Finish: polished or satin chrome



#55.3251 flush bolt 102 x 15 mm; polished brass Bolt: 8 mm diameter
#55.3252 flush bolt 102 x 15 mm; polished chrome Throw: 14 mm
Operates by push lever; not positive locking

55.3251 **Flush Bolt, light duty brass**
55.3252 **Flush Bolt, light duty chrome**
Operates by push lever; not positive locking
Dimensions:
15 x 102 mm, polished brass
15 x 102 mm, polished chrome
Bolt: 8 mm diameter, throw: 14 mm



Izerwaren
Order
number

- Heavy duty
- Satin stainless steel
- Polished stainless steel
- PVD coated = Life Time Finish Brass, Gold color

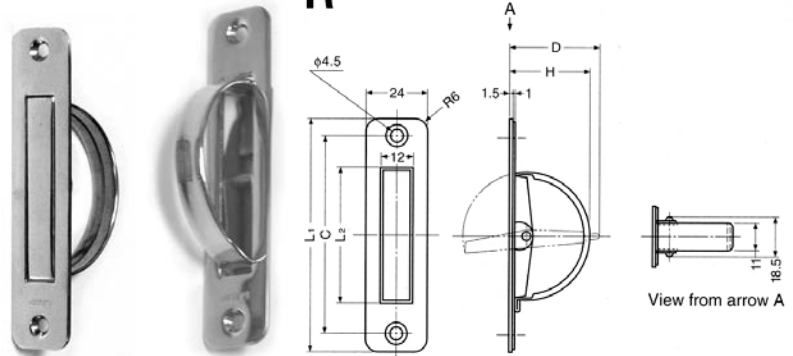


#13.209; door edge pull, 25 mm diameter, built in depth 25 mm material: brass

13.209

Edge pull,

Brass Diameter: 25 mm or 1 inch
Built in depth: 25 mm or 1 inch.
Black plastic end cap



13.219

Edge pull, heavy duty

Ring model
304 stainless steel
Dimensions 110 x 24 mm
Round corners

#13.219; 110 x 24 mm round corners; built in depth 30 mm; stainless steel

13.249

Edge pull, light duty

Single Hook model
304 stainless steel
Dimensions 100 x 20 mm
Square corners



#13.249; 100 x 20 mm; built in depth 23 mm; material stainless steel

13.229

Edge pull, heavy duty

Double Hook model
304 stainless steel
Dimensions 115 x 25 mm
Square corners
(not depicted)

13.239

Edge pull, medium duty

Double Hook model
304 stainless steel
Dimensions 91 x 22 mm
Square corners

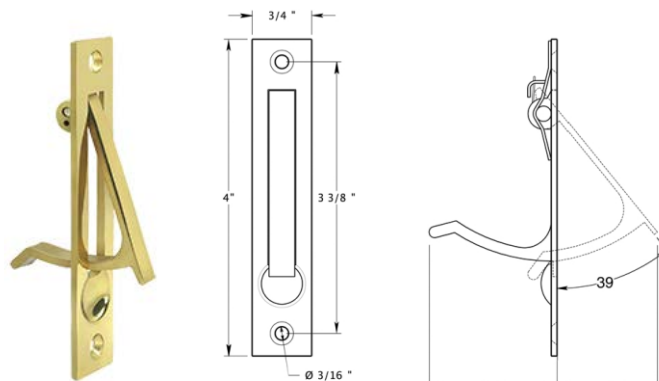


#13.239; 91 x 22 mm; built in depth 35 mm; material stainless steel

13.475

Edge pull, medium duty

pull model
4 x 3/4 inch; built in depth 1 5/8 inch;
material brass
Square corners
D EP00475U3



#13.475; 4 x 3/4 inch; built in depth 1 5/8 inch; material brass